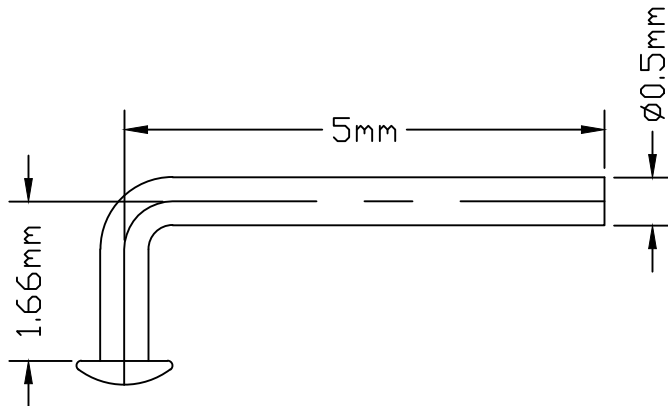
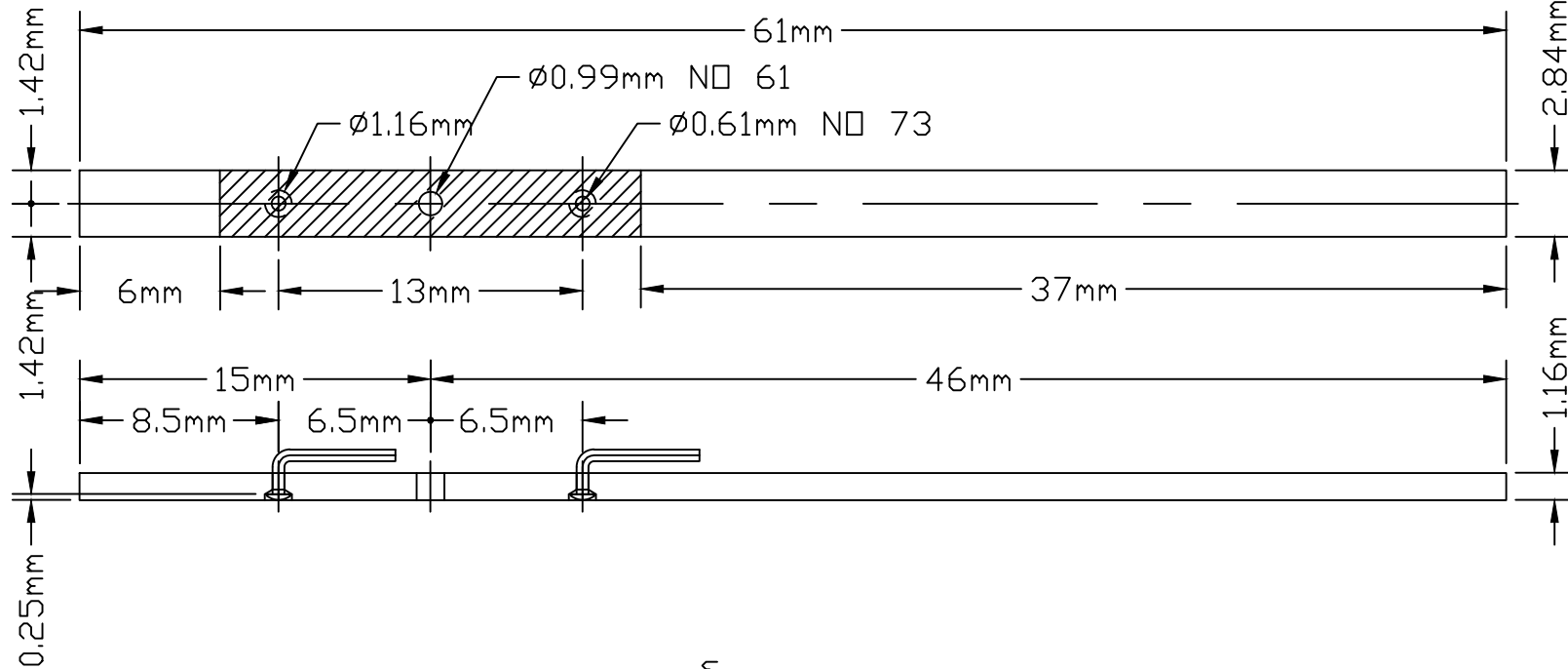


BILL OF MATERIAL

ITEM	QTY.	DESCRIPTION	DWG./DIM.	WT.
1	1	POINTS BAR - PCB		N/A
2	2	PIVOT PINS		N/A



NOTES:

1. ALL DIMENTIONS MM
2. REMOVE COPPER CLADDING FROM HATCHED AREA, BOTH SIDES

A ISSUE FOR REVIEW		DHW 1918/09/20	
REV.	DESCRIPTION	BY	DATE
REVISIONS			
DATE:	2019/02/10	DWN.	DUNCAN HILCHIE
PCB POINTS BAR DETAIL			
PINNED STYLE			
RECOMMENED PRACTICE - TRACK			
SCALE:	1:8	DWG.	EMRA-RP-TK-01
		REV.	A

ISSUED FOR STANDARDS
2019/02/20

THIS DOCUMENT IS THE CONFIDENTIAL PROPERTY OF THE EMRA AND SHALL NOT BE DISCLOSED OR REPRODUCED WITHOUT EXPRESSED PERMISSION.